



# Model FT20S Metallic

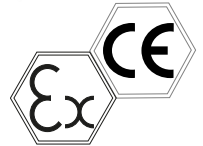
AIR OPERATED DOUBLE DIAPHRAGM PUMPS

## Specifications

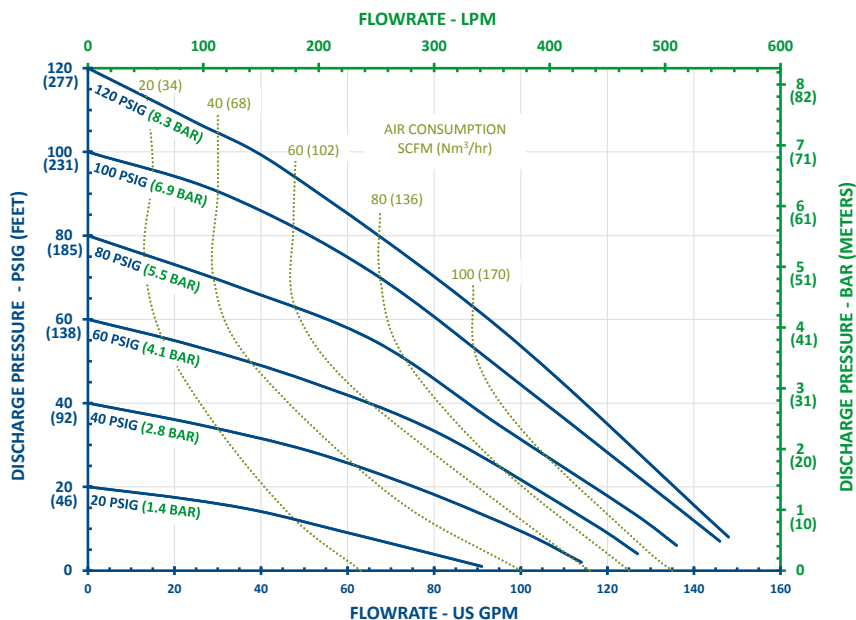
Suction & Discharge Size:	2" x 2"
Porting Location:	Center
Connection Types:	FNPT, BSPT, ANSI/DIN/ISO flange
Air Inlet & Air Exhaust Size:	3/4" FNPT x 3/4" FNPT

## Capabilities

Maximum Flow Rate:	156 gpm (590 lpm)
Maximum Air Supply Pressure:	120 psi (8.3 bar)
Displacement Per Stroke:	0.31 gal (1.2 lit)
Minimum Air Inlet Pressure:	10 psig (0.7 bar)
Maximum Particle Size :	0.35 in (8.9 mm)
Sound Pressure:	77 dB(A)
Operating temperature:	Determined by elastomers



## FT20 Performance



Note: Full stroke diaphragm allows performance to be equal for all elastomers.

## Typical Applications

- Acids & Bases
- Plating Solutions
- Wastewater
- Paints, Inks, Solvents
- Ceramic Slip and Glaze
- Lubricants and Oils

## Typical Industries

- Mining
- Paints and Coatings
- Ceramics
- Pulp and Paper
- Electroplating & Anodizing
- Wastewater
- Marine
- Chemical Manufacturing & Distribution
- OEM's

# CHANGE IS IN THE AIR

## Construction

Wetted Materials:	316SS
Diaphragm Materials:	Neoprene, Santoprene™, FKM, EPDM, PTFE, Buna, Hytrel®, Polyurethane
Air Valve:	GFRPP, Aluminum
Ball Materials:	Neoprene, Buna, EPDM, FKM, Santoprene™, PTFE
Seat Materials:	Aluminum, 316SS, PTFE, Hytrel, Buna, Neoprene, EPDM, FKM, Santoprene™, Polyurethane
O-ring Materials:	Neoprene, Buna, EPDM, FKM, PTFE, FEP/FKM

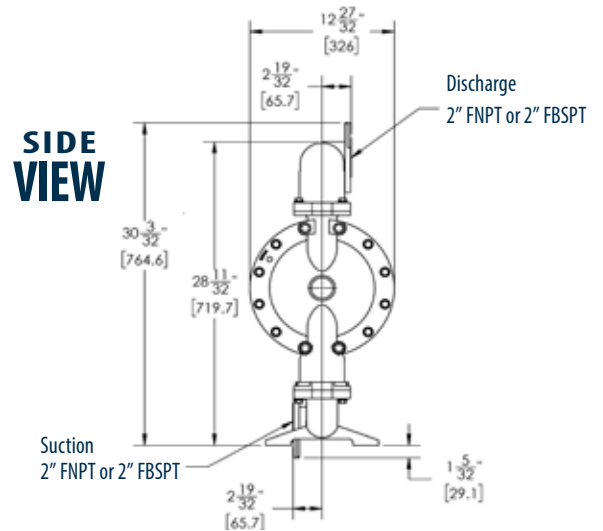
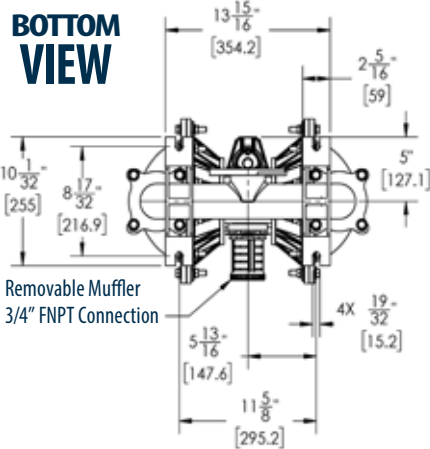
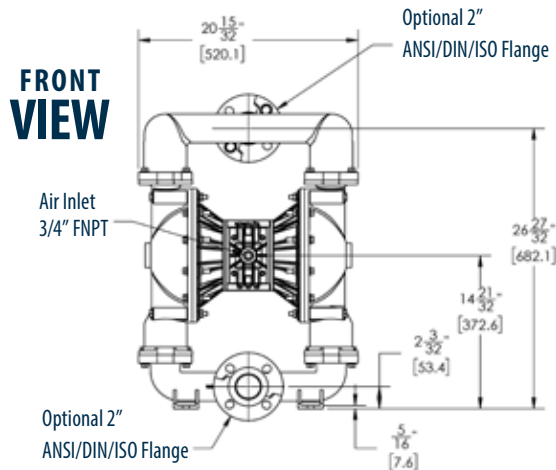
Santoprene™ is a registered trademark of Exxon Mobil Corp.  
Hytrel® is a registered trademark of Dupont™

## Dimensions

Maximum Height:	30-3/32 in (765 mm)
Maximum Width:	20-15/32 in (520 mm)
Maximum Depth:	12-27/32 in (326 mm)

## Weight

316SS:	130 lb (59.9 kg)
--------	------------------



### FTI AIR

921 GREENGARDEN ROAD ERIE, PA 16501  
Tel: (800) 934-9384 • Fax: (814) 459-3460  
www.FTIAIR.com

