

Construction

Horizontal multi-stage close coupled pump. Single-piece barrel casing in chrome-nickel stainless steel, with front suction port above pumps axis and radial delivery at top. Stages in Noryl.

Applications

For water supply.
For domestic use, for garden use and irrigation.

Operating conditions

Liquid temperature: 0 °C to +50 °C.
Ambient temperature up to +40 °C.
Maximum permissible pressure in the pump casing: 8 bar.
Continuous duty.

Motor

2-pole induction motor, 50 Hz ($n \approx 2800$ rpm).
MXPM: single-phase 230 V \pm 10% with thermal protector.
Capacitor inside the terminal box.

Insulation class F.
Protection IP 54.

Constructed in accordance with: EN 60034-1; EN 60034-30.
EN 60335-1, EN 60335-2-41.

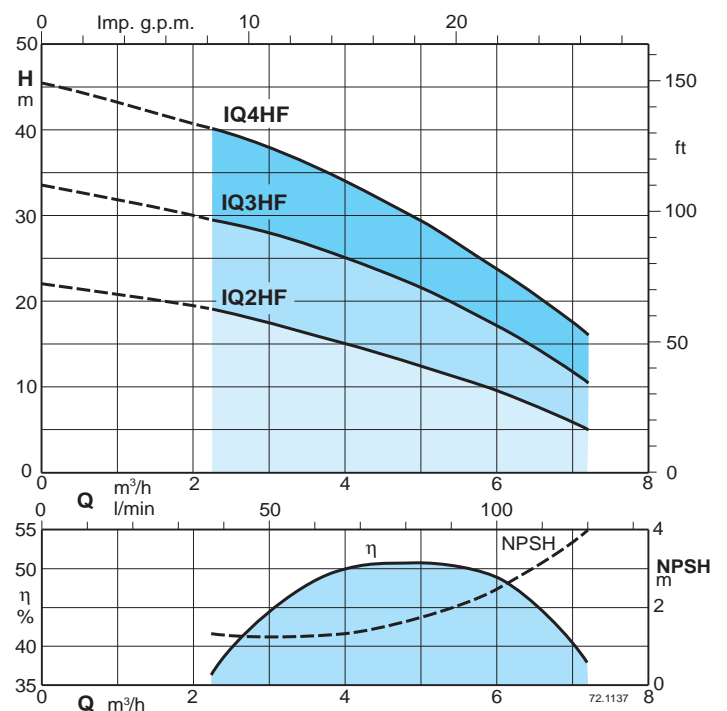
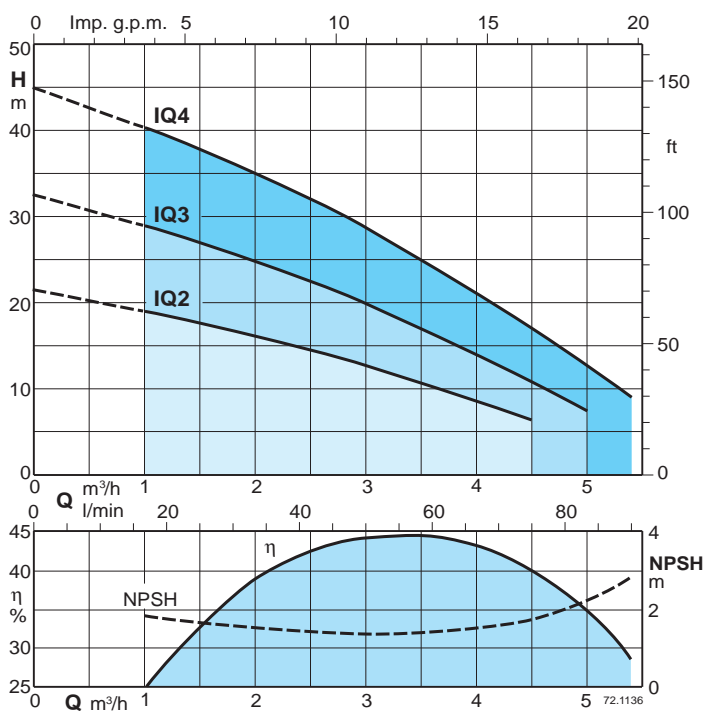
Materials

Component	Material
Pump casing Casing cover	Cr-Ni steel 1.4301 EN 10088 (AISI 304)
Pump Shaft Plug	Chrome steel 1.4104 EN 10088 (AISI 430) Cr-Ni steel 1.4305 EN 10088 (AISI 303)
Stage casing Impeller	PPO-GF20 (Noryl) PPO-GF20 (Noryl)
Mechanical seal	Carbon - Ceramic - NBR

Special features on request

- Other voltages.
- Frequency 60 Hz (as per 60 Hz data sheet).
- Motor suitable for operation with frequency converter.

Characteristic curves $n \approx 2800$ rpm



Performance n ≈ 2800 rpm

	1 ~	230 V		P ₁		P ₂		Q											
		A	kW	kW	HP	m ³ /h	l/min		0	1	1,5	2	2,5	3	3,5	4	4,5	5	5,4
IQ2	MXPM 202	2,3	0,45	0,33	0,45				21,5	19	17,5	16	14,5	12,5	10,5	8,5	6,5		
IQ3	MXPM 203	3	0,63	0,45	0,6				32,5	29	27	25	22,5	20	17	14	11	7,5	
IQ4	MXPM 204/A	4,2	0,8	0,55	0,75				45	40	37,5	35	32	28,5	25	21,5	17	13	9

	1 ~	230 V		P ₁		P ₂		Q											
		A	kW	kW	HP	m ³ /h	l/min		0	2,25	3	3,5	4	4,5	5	6	7,2		
IQ2HF	MXPM 402	3	0,61	0,45	0,6				22	19	17,5	16,5	15	14	12,5	9,5	5		
IQ3HF	MXPM 403/A	4,2	0,9	0,55	0,75				33,5	30	28	26,5	25	23	21,5	17	10		
IQ4HF	MXPM 404A	5,4	1,2	0,75	1				46	40	38	36,5	34	32	29,5	24	16		

P₁ Max. power input.
P₂ Rated motor power output.

Test results with clean cold water, without gas content.
+ 0,5 m security margin on NPSH-value is necessary.

Tolerances according to UNI EN ISO 9906:2012
For capacities over 4 m³/h use a suction pipe G 1 1/4 (DN 32).

Features

Extra safety

against running dry, with the suction port above pump axis.

Robust

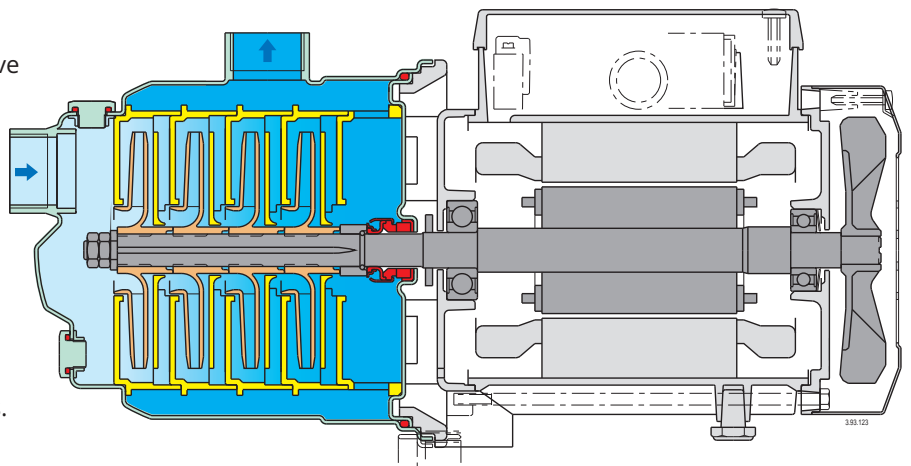
Single-piece barrel casing.

Compact

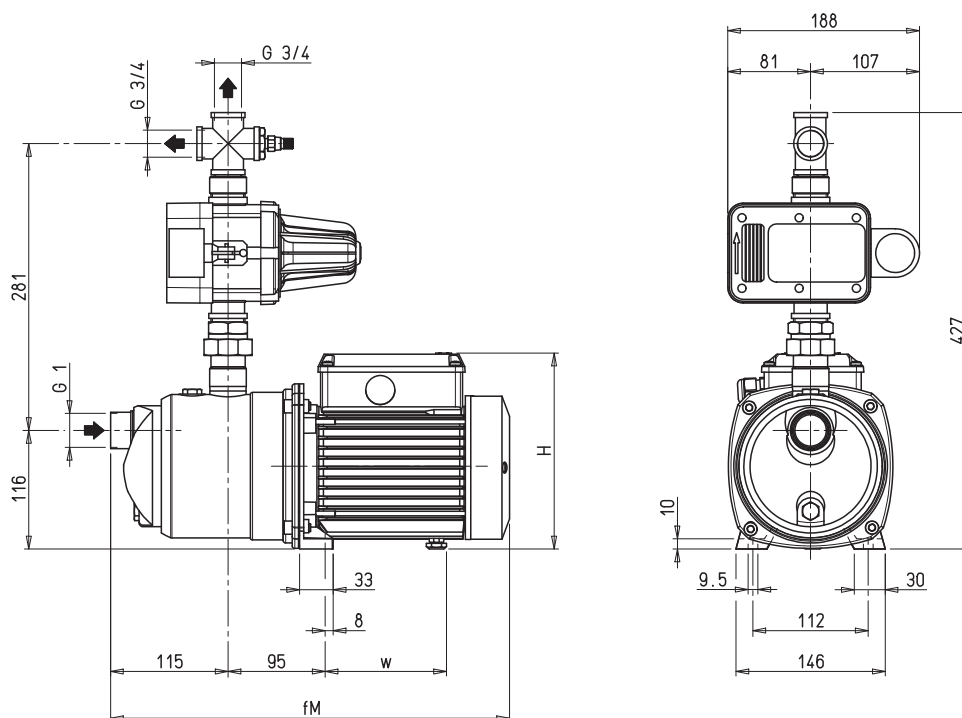
Single-piece lantern bracket and base.

Low noise

with the water-filled shroud around the stages.



Dimensions and weights / Range



TYPE		mm		
		fM	H	w
IQ2	MXPM 202	362	176	102
IQ3	MXPM 203	362	176	102
IQ4	MXPM 204/A	391	192	112
IQ5	MXPM 205	391	192	112
IQ2HF	MXPM 402	361	176	102
IQ3HF	MXPM 403/A	391	192	112
IQ4HF	MXPM 404/A	391	192	112

